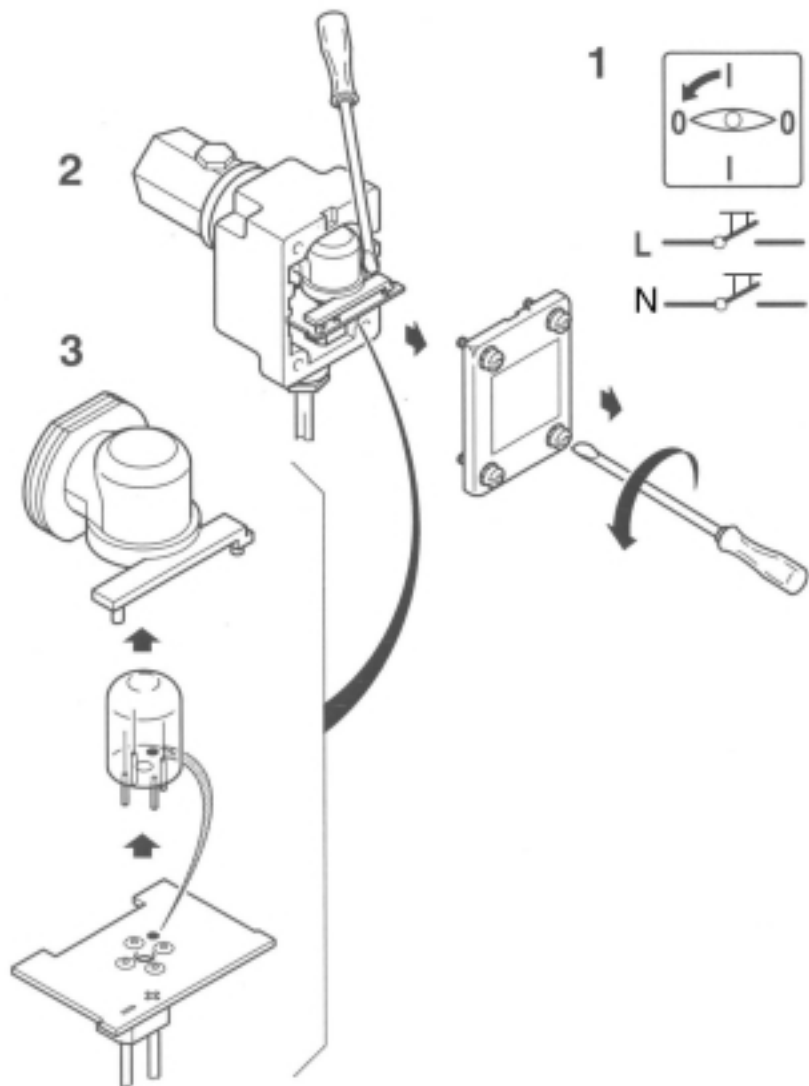
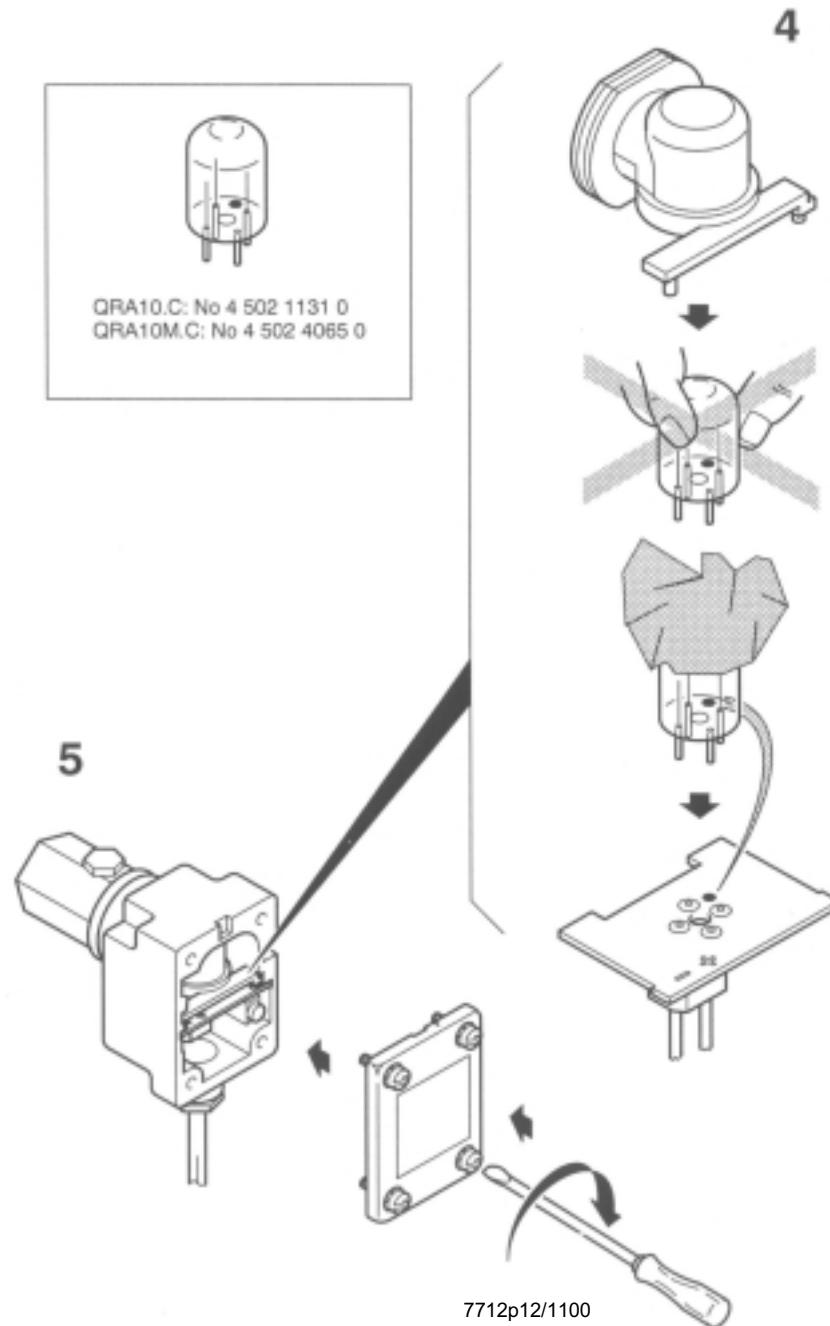
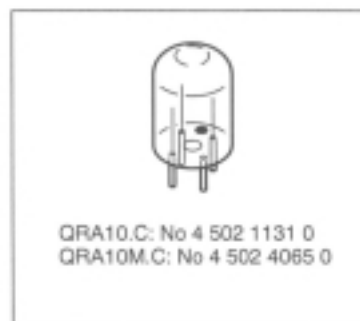


UV ↔ QRA10..C



7712p08/1100



7712p12/1100